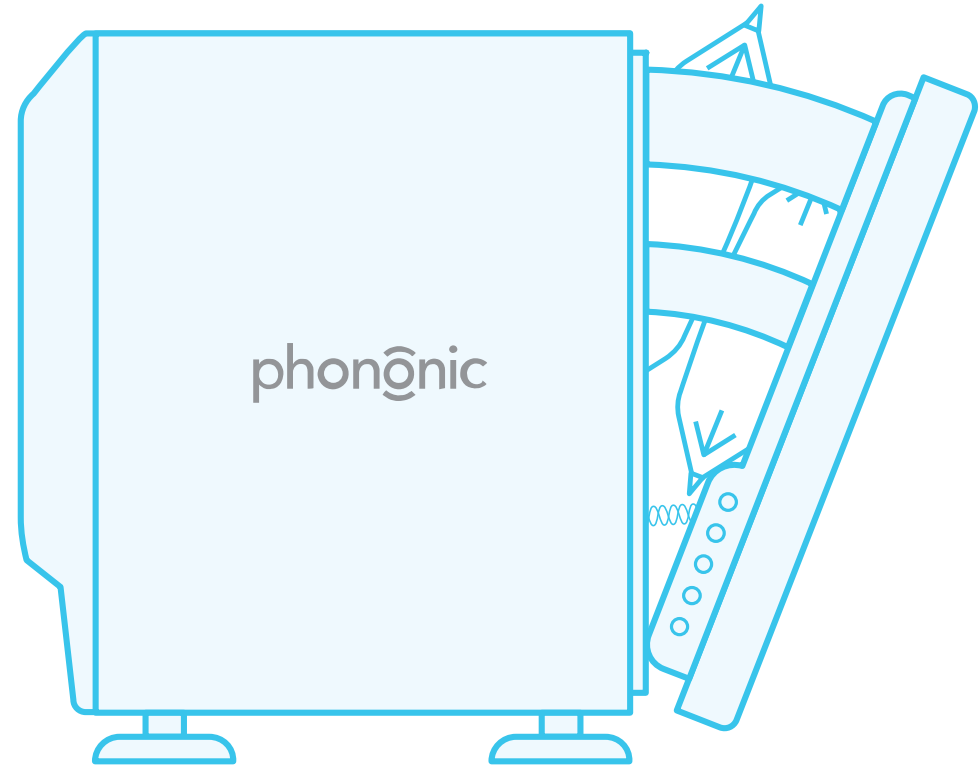
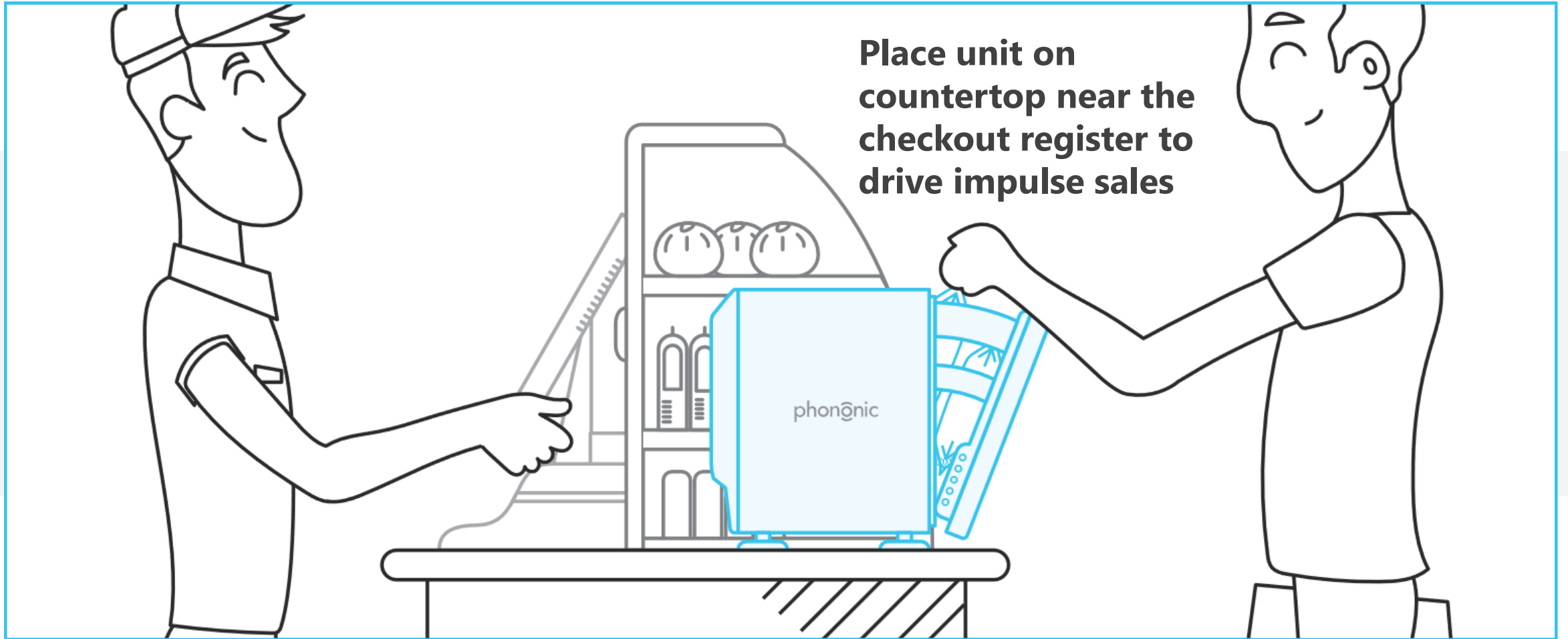


Placement Guidelines

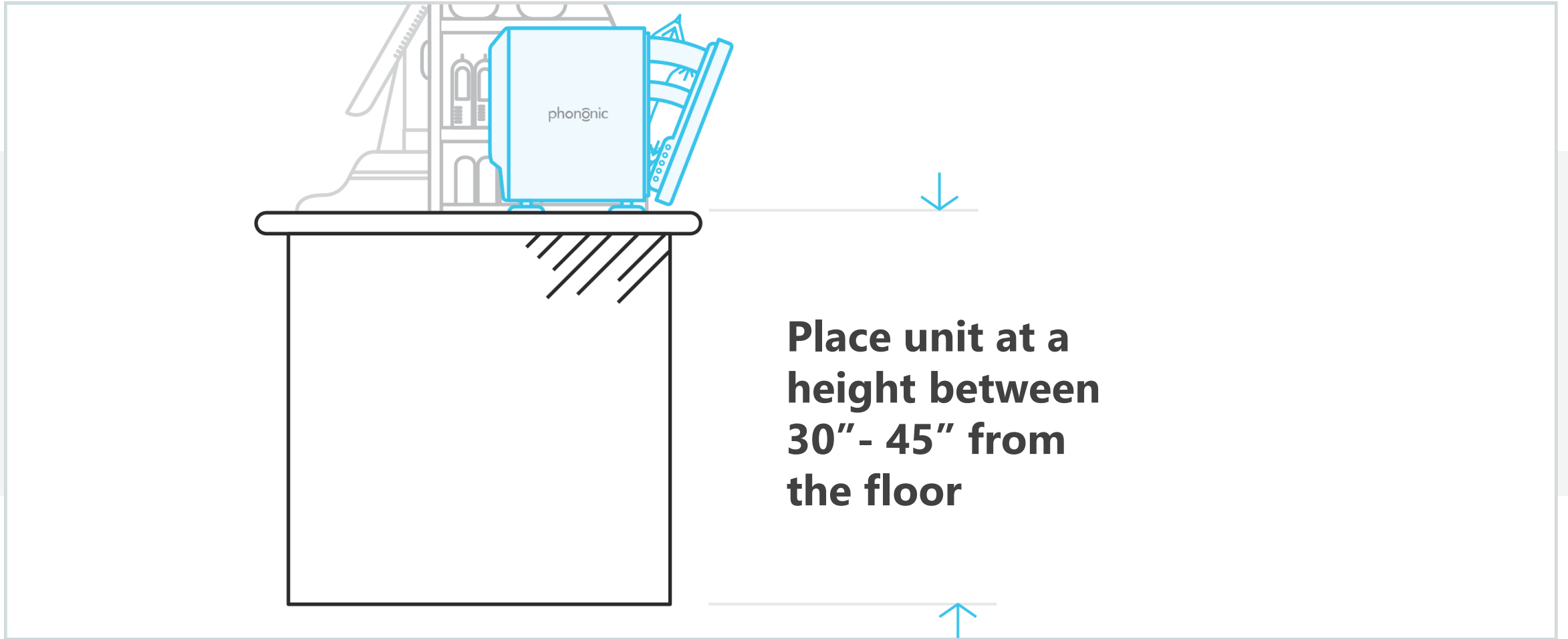
C200 Merchandising Refrigerator & F200 Merchandising Freezer



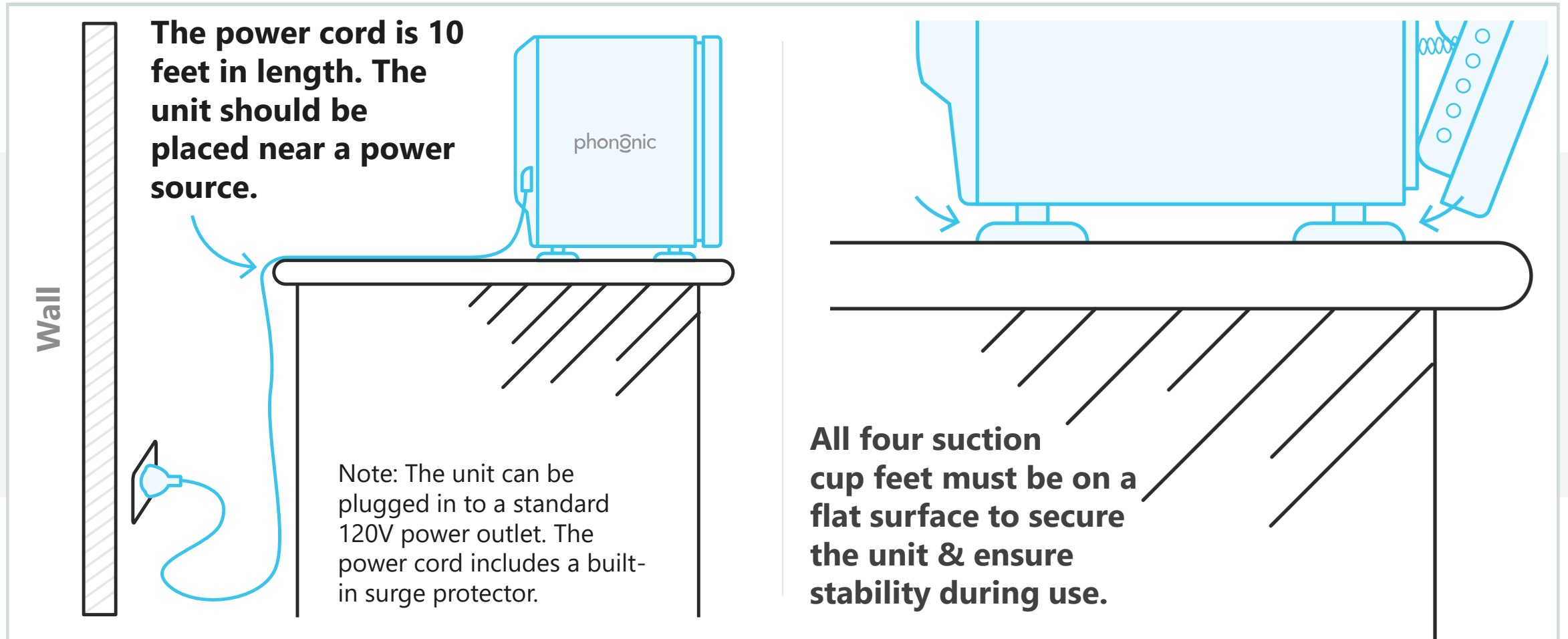
Optimal Placement for Impulse Sales



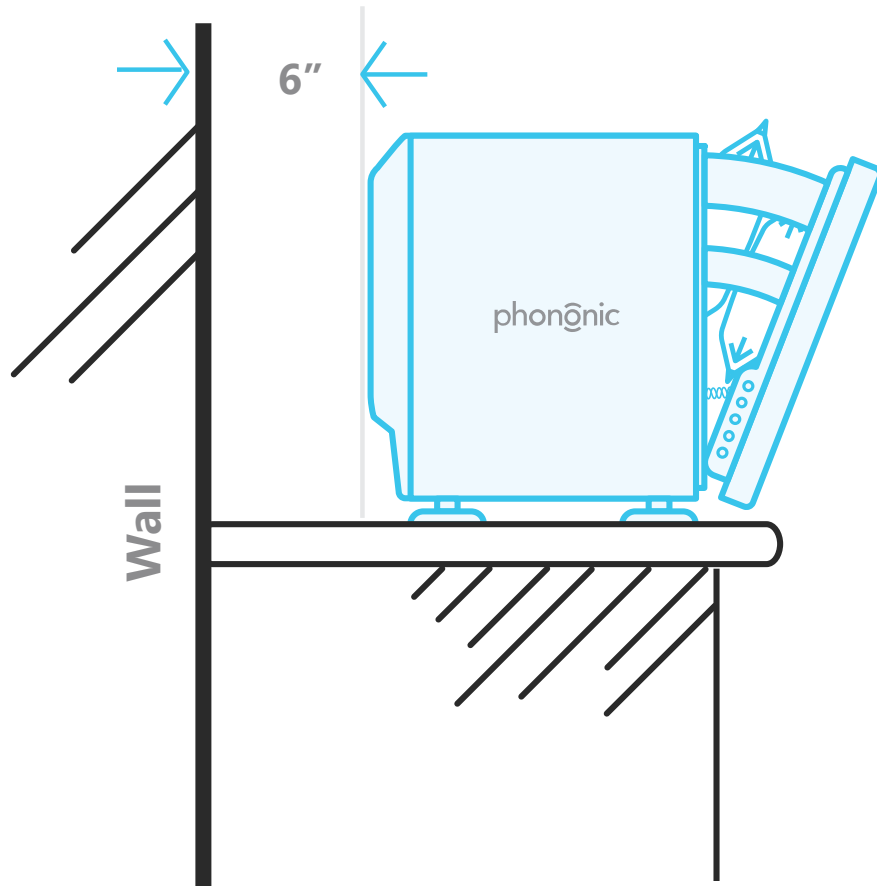
Placement Height



Power Cord and Suction Cup Feet



Rear Clearance



Provide 6" of rear clearance for optimal operation.

Side Clearance

Provide 2" of side clearance for optimal operation.

