

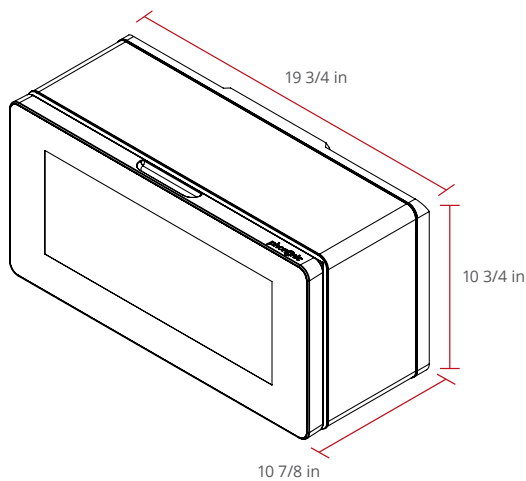
Phononic C200 Merchandising Refrigerator

Technical Data Sheet

The Phononic C200 Merchandising Refrigerator is the only small-scale commercial merchandising refrigerator that uses solid-state technology to create and maintain consistent cooling. You won't be prohibited from selling products by the space or environmental constraints of traditional compressor-based refrigerators. Compact, modern and quiet, it allows you to feature impulse buys such as single-serve drinks and fresh snacks on checkout counters, bar tops and concession stands. With 0.4 cu. ft. internal capacity, the Phononic C200 Merchandising Refrigerator fits perfectly within easy reach of you and your customers in grocery and convenience stores, restaurants, bars, hotels and stadiums.



With a Phononic refrigerator, you can say goodbye to noisy, bulky and energy-hogging compressors and fans and hello to:



Features

- Solid-state refrigerator system delivering consistent performance at 3.3 °C
- Small form factor and low exhaust and vibration for optimal retail placement at the point of sale
- Easy-to-access angled slide door with balanced close mechanism
- Non-hazardous refrigerant
- Clear bin for inventory view
- Customizable look using personalized, interchangeable magnetic print images

Keep foods at the right temperature, in the right locations

Phononic's compressor-free cooling is setting new standards in capacity, reliability, efficiency, and sustainability, so you can:



Sell more at the point of sale

Display the most profitable fresh products where they'll reach the most customers - not at perimeter walls, as is common today.



Deliver consistent cooling at lower cost

Fast recovery and optimal design keep food cold, even with frequent openings. Realize increased temperature stability and reduce total kWh.



Cut maintenance time and costs

Replace traditional refrigerators with long-lasting, reliable solid-state technology to spend less time and expense on maintenance.



Modernize countertop and consumer-facing displays

Aesthetic designs and near-silent operation looks great at point of sale and offers novel merchandising to meet consumer preferences.

Preliminary • Version 1009C

Phononic C200 Merchandising Refrigerator

Basic Information	Model	PFR004SGA-PB1
	Materials	Painted Steel, Aluminum, Plastic, Tempered Glass
	Power Input	100-240VAC 50Hz-60Hz (external adapter, 200mm W x 100mm D x 30mm H)
	Power Cord	1.8 Meter, NEMA 5-15/CEE 7-7/BS 1363 Grade Plug
	Internal Lighting	Yes
Performance	Temperature Set-point	3.3 °C / 37.9 °F
	Temperature Uniformity	3 °C / 37 °F
	Temperature Stability	< 1 °C
	Noise Level	39 dBA (steady-state)
	Energy Requirements	1.3 kWh/day @ 24 °C / 75.2 °F Ambient
	Rated Amps	3.5 Amps
Safety	Certifications	UL 471, FCC, NSF-7
Storage	Refrigerant	R744 (CO ₂)
	Internal Volume	0.4 cubic feet
	Storage Bin	Clear Polycarbonate
	Bin Dimensions	390mm W x 163mm D x 142mm H
Installation	Internal Dimensions	16.9" W x 6.2" D x 7.0" H; 429mm W x 157mm D x 179mm H
	External Dimensions	19 3/4" W x 10 7/8" D x 10 3/4" H; 501mm W x 276mm D x 273mm H
	Shipping Weight	42 lbs
	Product Weight	35 lbs
Warranty	Minimum Clearance Requirement	50mm top/back
	Heat Pump	10 years
	Full Refrigerator Parts and Labor	1 year

Preliminary • Version 1009C