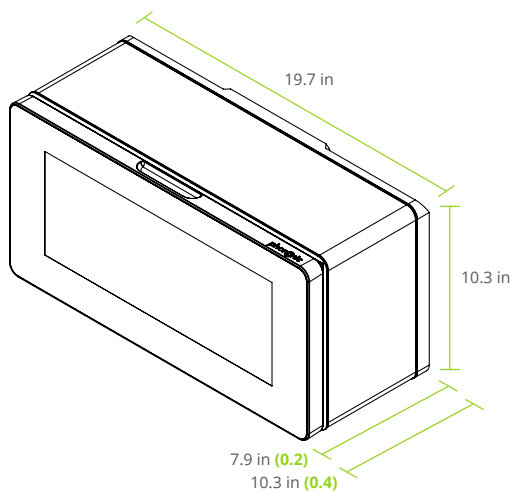


Merchandising Refrigerator 0.4

Technical Data Sheet

The Phononic Merchandising Refrigerator 0.4 is the only small-scale commercial merchandising refrigerator that uses solid-state technology to create and maintain consistent cooling. You won't be prohibited from selling products by the space or environmental constraints of traditional compressor-based refrigerators. Compact, modern and quiet, it allows you to feature impulse buys such as single-serve drinks and fresh snacks on checkout counters, bar tops, and concession stands. With 0.4 cu. ft. internal capacity, the Phononic Merchandising Refrigerator 0.4 fits perfectly within easy reach of you and your customers in grocery and convenience stores, restaurants, bars, hotels and stadiums.

With a Phononic freezer, you can say goodbye to noisy, bulky and energy-hogging compressors and fans and hello to:



Features

- Solid-state refrigerator system delivering consistent performance at 2 °C
- Small form factor and low exhaust and vibration for optimal retail placement at the point of sale
- Easy-to-access angled slide door with balanced close mechanism
- Non-hazardous refrigerant
- Clear bin for inventory view

Additional Options

- Customizable look using personalized, interchangeable magnetic print images
- Clear or black bin
- Solid or glass door
- Screw holes for mounting or anti-tip suction cup accessory (rubber feet standard)
- Low-profile power cord for easy placement, including Velcro mounting of adapter

Keep foods at the right temperature, in the right locations

Phononic's compressor-free cooling is setting new standards in capacity, reliability, efficiency, sustainability and security, so you can:



Sell more at the point of sale

Display the most profitable fresh products where they'll reach the most customers - not at perimeter walls, as is common today.



Deliver consistent cooling at lower cost

Fast recovery and optimal design keep food cold, even with frequent openings. Realize increased temperature stability and reduce total kWh.



Cut maintenance time and costs

Replace traditional refrigerators with long-lasting, reliable solid-state technology to spend less time and expense on maintenance.



Modernize countertop and consumer-facing displays

Aesthetic designs and near-silent operation looks great at point of sale and offers novel merchandising to meet consumer preferences.

Preliminary • Version 1009A

Phononic Merchandising Refrigerator 0.4

Basic Information	Model	PFR004SGA PFR004SSA
	Materials	Painted Steel, Aluminum, Plastic, Tempered Glass
	Power Input	100-240VAC 50Hz-60Hz (external brick, 170x85x33mm)
	Power Cord	1.8 Meter, NEMA 5-15/CEE 7-7/BS 1363 Grade Plug
	Internal Lighting	Yes
Performance	Temperature Set-point	2 °C
	Temperature Uniformity	± 2 °C from center air
	Temperature Stability*	< 0.5 °C
	Noise Level	42 dBA (steady-state) < 65 dBA (max)
	Energy Requirements	< 1.2 kWh/day @ 2 °C
	Max. Heat Reject	3342 btu/hr
	Amps	0.75 - 2 amps max, 1 amp steady-state
Safety	Certifications	TUV SUD
Storage	Refrigerant	R744 (CO ₂), R718 (H ₂ O)
	Internal Volume	0.42
	Storage Bin	Clear Polycarbonate
Installation	Internal Dimensions	16.9"W x 6.2"D x 7.0"H; 429mm W x 157mm D x 179mm H
	External Dimensions	19.7"W x 10.3"D x 10.3"H; 500mm W x 262mm D x 262mm H
Warranty	Minimum Clearance Requirement	38mm top/back
	Heat Pump	10 years
	Full Refrigerator Parts and Labor	1 year

* Ambient range 10-32 °C, 40-70% RH, Elevation up to 2000M, Pollution Degree 2, IP3x

Preliminary • Version 1009A