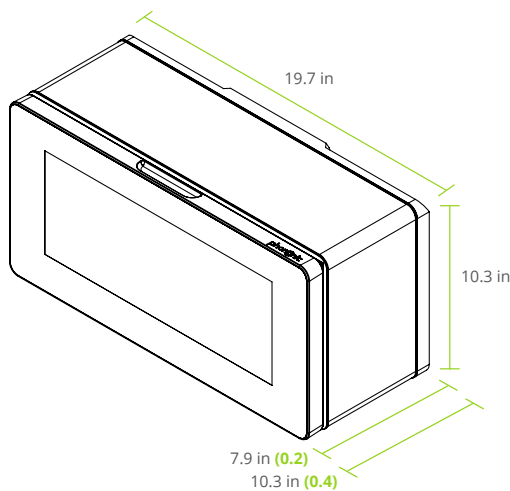


# Merchandising Freezer 0.2 and 0.4

## Technical Data Sheet

The Phononic Merchandising Freezer is the world's first commercial merchandising freezer to use solid-state technology to create and maintain consistent cooling. Compact, modern and quiet, it allows you to move high-margin frozen products out of deep ice chests and onto checkout counters, bar tops, concession stands, or other spots where space or environmental constraints may have prohibited compressor-based freezer placement in the past. With two sizes to choose from (0.2 and 0.4 cu. ft. internal capacity), the Phononic Merchandising Freezer fits perfectly in grocery and convenience stores, restaurants, bars, hotels and stadiums.

With a Phononic freezer, you can say goodbye to noisy, bulky and energy-hogging compressors and fans and hello to:



### Features

- Solid-state freezer system delivering consistent performance at -18 °C
- Small form factor and low exhaust and vibration for optimal retail placement at the point of sale
- Easy-to-access angled slide door with balanced close mechanism
- Non-hazardous refrigerant
- Clear bin for inventory view

### Additional Options

- Customizable look using personalized, interchangeable magnetic print images
- Clear or black bin
- Solid or glass door
- Two depth options, 260mm (10.3 in) or 200mm (7.9 in)
- Screw holes for mounting or anti-tip bracket accessory (rubber feet standard)
- Low-profile power cord for easy placement, including Velcro mounting of adapter

**Keep foods at the right temperature, in the right locations**

Phononic's compressor-free cooling is setting new standards in capacity, reliability, efficiency, sustainability and security, so you can:



#### Sell more at the point of sale

Display the most profitable frozen products where they'll reach the most customers - not at perimeter walls, as is common today.



#### Deliver consistent cooling at lower cost

Fast recovery and optimal design keep food frozen, even with frequent openings. Realize increased temperature stability (less than half the variability of Energy Star freezer standards) and reduce total kWh.



#### Cut maintenance time and costs

Replace traditional freezers with long-lasting, reliable solid-state technology to spend less time and expense on maintenance.



#### Modernize countertop and consumer-facing displays

Aesthetic designs and near-silent operation looks great at point of sale and offers novel merchandising to meet consumer preferences.

Preliminary • Version 1001C

	Phononic Merchandising Freezer 0.4	Phononic Merchandising Freezer 0.2		
Basic Information	Model	PFF004SGA (Glass Door) PFF004SSA (Solid Door)	PFF002SGA (Glass Door) PFF002SSA (Solid Door)	
	Materials	Painted Steel, Aluminum, Plastic, Tempered Glass	Painted Steel, Aluminum, Plastic, Tempered Glass	
	Power Input	100-240VAC 50Hz-60Hz (external brick, 170x85x33mm)	100-240VAC 50Hz-60Hz (external brick, 170x85x33mm)	
	Power Cord	1.8 Meter, NEMA 5-15/CEE 7-7/BS 1363 Grade Plug	1.8 Meter, NEMA 5-15/CEE 7-7/BS 1363 Grade Plug	
Performance	Internal Lighting	Yes	Yes	
	Temperature Set-point	-18 °C	-18 °C	
	Temperature Uniformity	± 2 °C from center air	± 2 °C from center air	
	Temperature Stability*	< 0.5 °C	< 0.5 °C	
	Noise Level	42 dBA (steady-state) < 65 dBA (max)	42 dBA (steady-state) < 65 dBA (max)	
	Energy Requirements	< 2.9 kWh/day @ -18 °C	< 2.9 kWh/day @ -18 °C	
	Max. Heat Reject	3342 btu/hr	3342 btu/hr	
	Amps	Amps 0.95-2.6 amps max, >0.4-1.2 amp steady-state	Amps 0.95-2.6 amps max, >0.4-1.2 amp steady-state	
	Safety	Certifications	TUV SUD	CE
		Refrigerant	R744 (CO2), R718 (H2O)	R744 (CO2), R718 (H2O)
Storage	Internal Volume	0.42	0.25	
	Storage Bin	Clear Polycarbonate	Clear Polycarbonate	
	Packing Factor	Up to 24 ice cream sandwiches	Up to 12 ice cream sandwiches	
	Installation	Internal Dimensions	16.9"W x 6.2"D x 7.0"H; 429mm W x 157mm D x 179mm H	16.9"W x 3.7"D x 7.0"H; 429mm W x 95mm D x 179mm H
External Dimensions		19.7"W x 10.3"D x 10.3"H; 500mm W x 262mm D x 262mm H	19.7"W x 7.9"D x 10.3"H; 500mm W x 200mm D x 262mm H	
Warranty	Minimum Clearance Requirement	38mm top/back	38mm top/back	
	Heat Pump	10 years	10 years	
	Full Refrigerator Parts and Labor	1 year	1 year	

\* Ambient range 10-32 °C, 40-70% RH, Elevation up to 2000M, Pollution Degree 2, IP3x

Preliminary • Version 1001C