



HEX 2.0

CPU Cooler

powered by
silvercore



Introducing a smart CPU cooler that delivers exceptional on-demand cooling performance and thermal control to meet your computing and gaming needs.

The HEX 2.0 is comprised of a proprietary state-of-the-art high performance thermoelectric module, combined with an innovative heat exchanger design. The compact design of the HEX 2.0 allows it to comfortably fit into small systems—such as mini-ITX—while delivering cooling capacity beyond that of much larger coolers.

The active/passive design of the HEX 2.0 minimizes impact on system level power consumption with variable control managed by on-board smart electronics. Furthermore, the HEX 2.0 provides CPU cooling requiring **zero power consumption** when the CPU is under low stress, up to a peak power of 35 Watts when the CPU is heating up. Hook up the HEX 2.0 to your motherboard using the optional USB interface and unlock custom power maps, LED configurations, and more.

Details

Type	Fan Heatsink with Thermoelectric Heat Pump
Fan	Integrated 92 mm

Compatibility

	Intel		AMD
Socket	LGA2011	LGA 115x	AM2/+, AM3+
MAX TDP	140W + Max OC	95W + Max OC	220W

HEX 2.0 performance is compatible with the highest power CPUs on the market, with room for overclocking.



Exceptional Temperature Control



Easy Installation Into Intel & AMD Sockets



Custom LED Options



1-Year Limited Warranty



No Water



Smart Electronics Monitor Temp & Provide Appropriate Cooling

Quietly Outperforms.

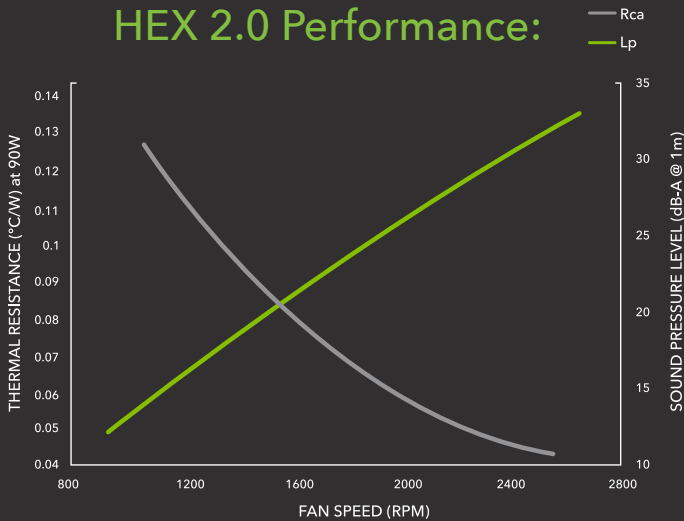
phononic.com/hex



HEX 2.0

CPU Cooler

HEX 2.0 Performance:



Electronic Control Specifications

On Board Electronics Plug in power + fan connector to enable operation

USB Connection Enables HEX 2.0 dashboard application for monitoring and customization

Motherboard Connections

CPU Fan Provided connector

Power Connections Standard 6-pin AUX graphics cable
Required voltages = 12VDC

Optional USB Interface Provided connector

Cooler Specifications

Dimensions 125 x 112 x 95 mm
(H x W x D)

Weight 810 grams

Material RoHS compliant

Fan Specifications

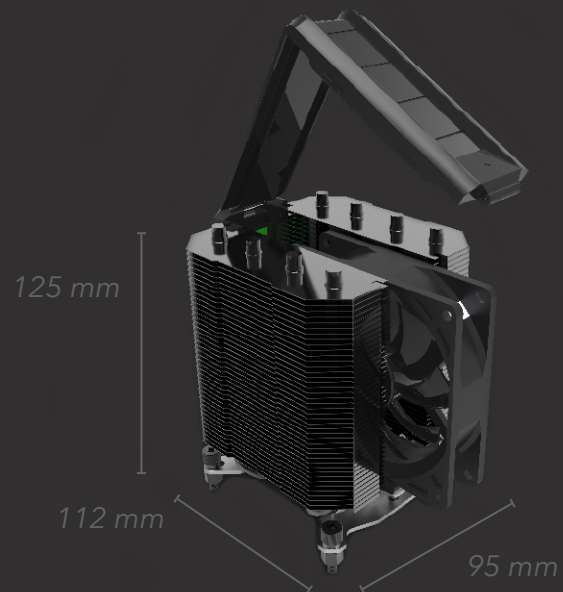
Size 92 x 92 x 25 mm
(H x W x D)

Connector 4-PIN PWM

RPM & Noise Level

Max	2650rpm
	(33dBA)
Typical Idle	1000rpm
	(<17dBA)

Air Flow/Max Static Pressure 44 CFM Maximum/ 3.1 mm H₂O



Hex 2.0 App

- Control the amount of cooling the thermoelectric heat pumps provide by selecting the appropriate cooling mode
- Customize the look of your HEX 2.0 by selecting LED colors, effects, or just turn it off
- Keep up to date with the latest firmware for your HEX 2.0 and any new additions to the application

